



Hoist Trolley & End Beam

For Double Girder Overhead Crane

YUANTAI CRANE MACHINERY



Henan Yuantai Crane Machinery Import&Export Co., Ltd.

Tel: +86-371-65760776

Fax: +86-371-65760775

Skype: ytcranes

Email: yuantai@ytcrane.com

Web: www.ytcrane.com

Address: Henghua Business Building 712, Garden Road, Zhengzhou, Henan, China.





DONGQI GROUP

SINO-FOREIGN JOINT VENTURE, EUROPEAN TECHNOLOGY

Dongqi Group is a Sino-foreign joint venture. The Group consists of subsidiaries: Henan Dongqi Machinery Co., Ltd manufacturing), Henan Yuantai Crane Machinery Import&Export Co., Ltd (Foreign Trade).

Henan Yuantai Crane Machinery Import&Export Co., Ltd consists of sales, e-commerce, service department, engage the Group's foreign trade. There are more than 300 employees in our company, 200 salesmen and 50 persons in the service department. Our customers distribute throughout the southeast Asia, Russia, east europe, the Middle east, Africa and other areas, the products are welcomed by all customers.

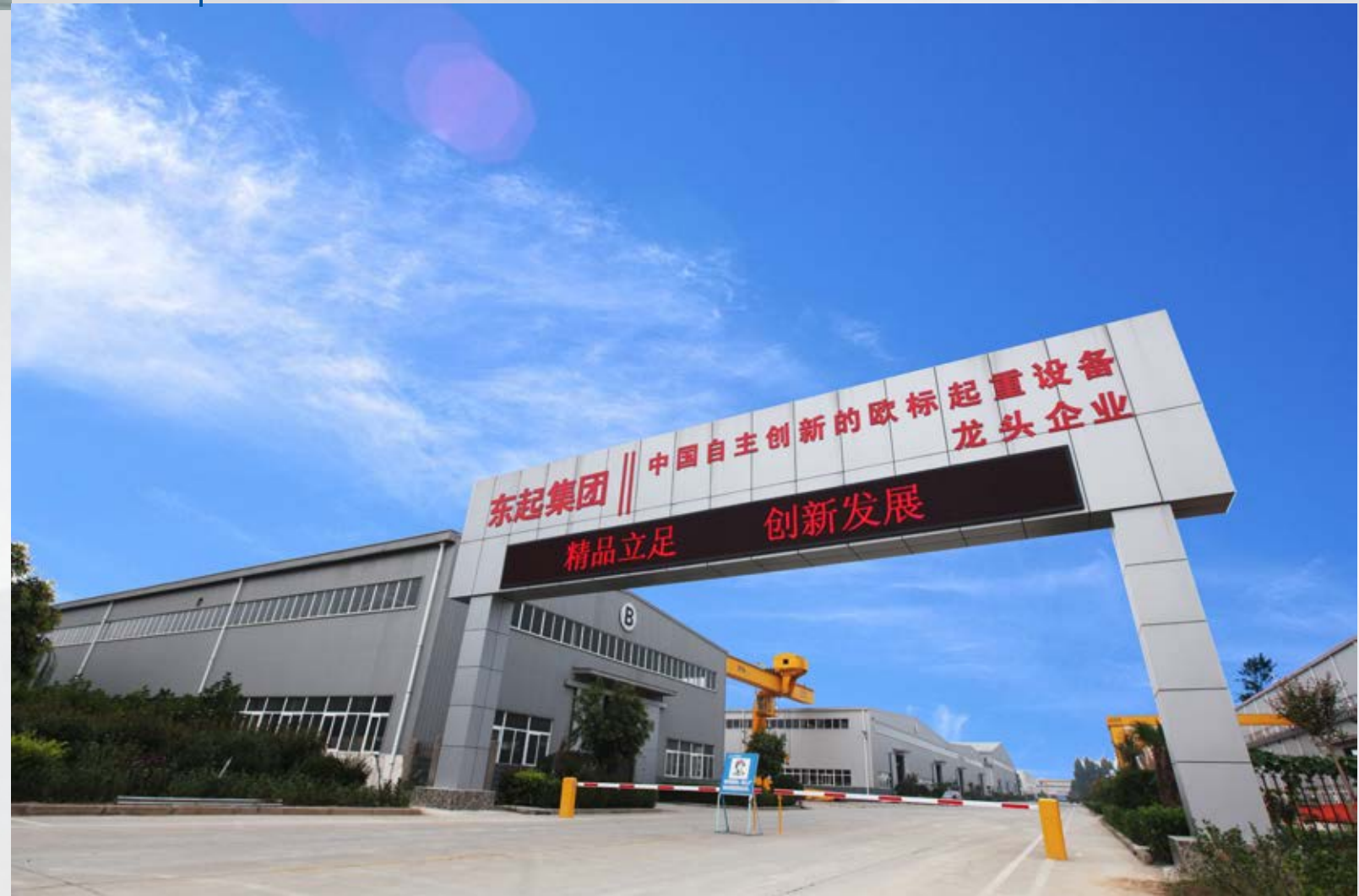
The company mainly manufactures such products: various European-style Bridge, gantry cranes, European-style electric block, etc. Some key core components are original Britain SZW product. The structures are manufactured by strictly following European-style technology standards, so that the overall performance reaches advanced world level. The products are widely applicable to multiple fields such as steel, electric power, petrochemical industry, machine building, war industry, warehouse logistics and papermaking. We will offer you the best designs and provide high-standard tailor-made European-style cranes with highly-efficient technology and economic index.

Hoist Trolley

- Overview
- Configuration
- Parameter

End Beam

- Overview
- Connection Types
- Draws & Parameter



Hoist Trolley Overview

Lifting mechanism is electric hoist CD1 and MD1, which travel along rail with small trolley. Work duty is M3, applied temperature is -25~+40°C. This product is used on double girder overhead crane, body weight is light, structure is simple and compact, easy to install and operate. Special fit to machining or assembly workshop. Its operating method include pendant control and remote control, sometimes cabin control.

小车起升机构采用CD1、MD1葫芦，是一种有轨运行的轻小型葫芦小车，工作级别为M3，工作环境温度为-25~+40°C。本产品与普通吊钩桥式双梁起重机的的小车相比具有重量轻、结构简单、安装操作方便、节省空间等优点，特别适用于机械制造、装配仓库等场所。可以地面手柄操作、地面遥控操作也可以司机室操作。

设计标准：GB

起重量：0.5~32t

起升高度：6~50m

工作级别：M3, M4

环境温度：-20~40°C

应用场合：适用于机械制造、装配仓库等场所

Design standard: GB

Lifting capacity: 0.5~32t

Lifting height: 6~50m

Working class: M3, M4

Ambient temperature: -20~40°C

Application: It can be used in machinery manufacturing, assembly warehouses and other places.

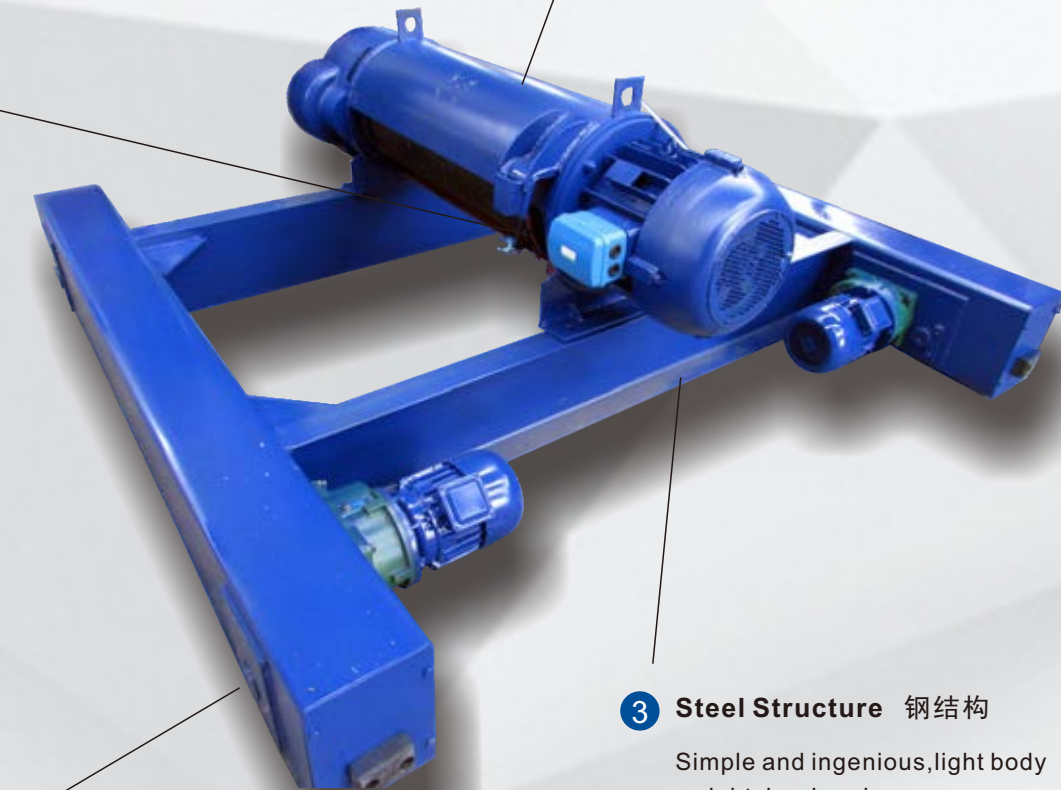
Hoist Trolley Configuration

1 Rope Guider 导绳器

Give up traditional grey cast iron, replace of cast steel or nodular cast iron, long service life and safe.
摒弃了传统的灰铸铁，采取了铸钢或球墨铸铁，寿命长，更安全可靠。

2 Electric Hoist 葫芦

Model CD/MD, lifting capacity 5-32Ton, light body weight, small wheel loading. We can make it comstom-order.
可配CD/MD葫芦，起重量5t-32t，自重轻，轮压小，也可非标制作不同的吨位和起升高度。



3 Steel Structure 钢结构

Simple and ingenious, light body weight, low headroom.
结构精巧简单，自重低，整车高度低。

2 Wheel 车轮

Foundry 45# steel, or nodular cast iron, small diameter, big bearing ability.
可用45号钢铸造，也可以用球墨铸铁，直径小，承载能力大。

Hoist Trolley Configuration

Alternative drive configuration

可供选择的驱动形式

A option

Single speed without adjusting, its lifting impact force is strong. For light duty crane, which don't require positional accuracy, single speed is enough.

Technology

1. Compact structure, light weight, safe and reliable
2. Wide used and interchangeable of components
3. High Lifting capacity, easy maintenance
4. Easy Operation , lifting stable
5. Highly cost effective

Applications

1. Storage, yard
2. Machining workshop

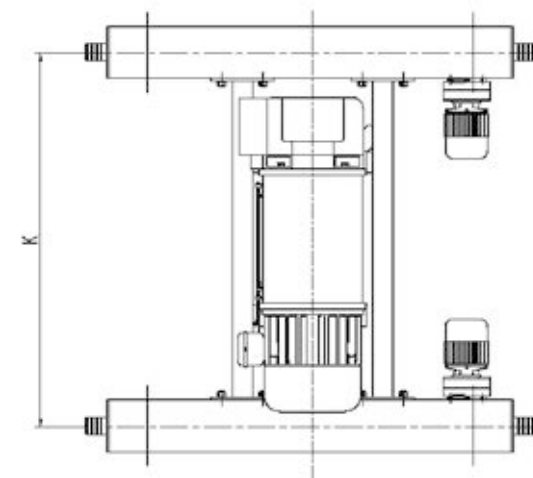
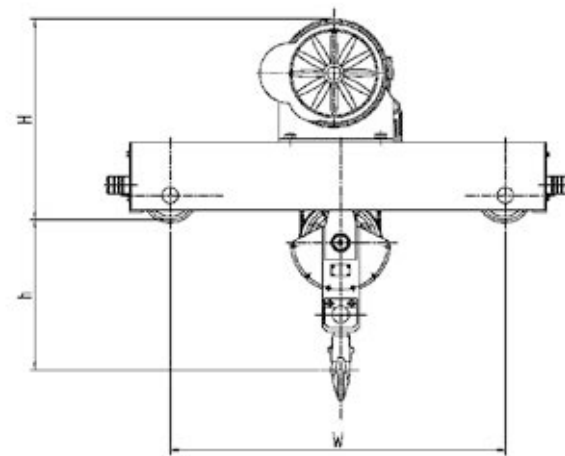
单速驱动设计，无调速功能，起升运行冲击较大，低档起重机的配置，适用于单速行驶并对定位精度要求不高的场合。

技术特性

- 1、结构紧凑、轻巧、安全可靠
- 2、零部件通用程度大，互换性强
- 3、起重能力高，维修方便
- 4、操作方便，起吊平稳准确
- 5、性价比高

应用实例

仓库货场的搬运
机加工车间



Hoist Trolley Configuration

Alternative drive configuration

可供选择的驱动形式

B option

Dual-speed designing, which is driven by two motors.

Technology

- 1, Soft starting
- 2, Lifting stable
- 3, High efficiency
- 4, Easy Operation: pendant or remote control
- 5, Low noise

Applications

Machining or assembly workshop

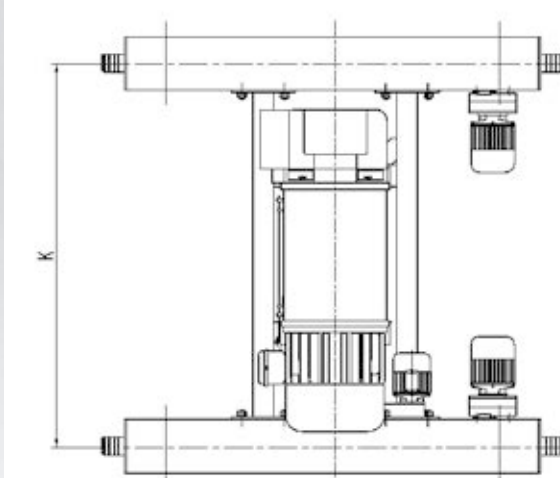
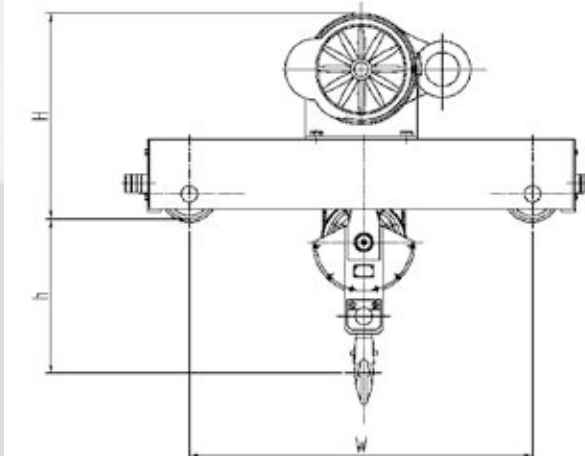
双速驱动设计，可实现两种启动速度，中档起重机的配置，适用于对定位精度有较高要求的场合。

技术特性

- 1、软启动
- 2、载荷摆动较小
- 3、工作效率高
- 4、操作性强
- 5、噪音小

应用实例

一般精度的装配车间



Hoist Trolley Configuration

Alternative drive configuration

可供选择的驱动形式

C option

Frequency inverter drive, speed is variable, starting and braking are very stable, apply for accuracy job.

Technology

1. Frequency control speed is double and variable.
2. Few loading swing
3. High working effective
4. Low energy consumption
5. Low noise

Applications

1. Precise machining workshop
2. High accuracy assembly work
3. Lifting valuable and dangerous object.

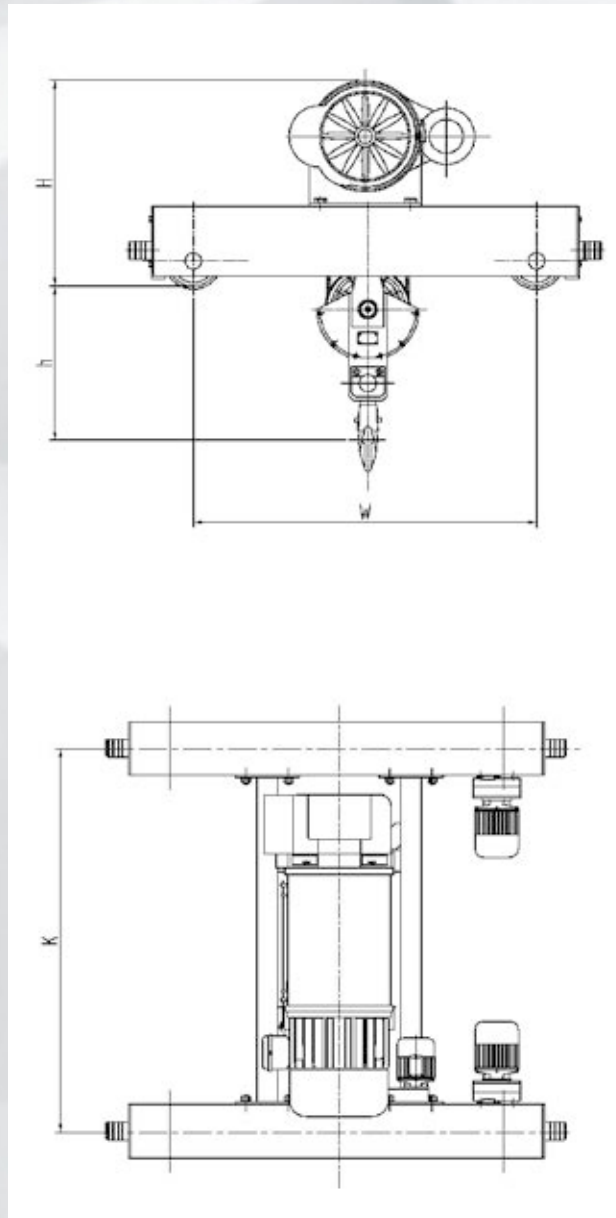
变频驱动设计，可获得不同的速度，实现平缓的启动和刹车，将载荷摆动降低到最低，适用于对定位精度要求非常高的场合。

技术特性

- 1、变频调节速度，可双速和变速
- 2、载荷摆动最小
- 3、工作效率高
- 4、能耗低
- 5、噪音小

应用实例

- 精密加工车间
- 高精度装配车间
- 贵重危险物品吊运



Hoist Trolley Parameter

Work Class	Lifting Height (m)	Lifting Speed (m/min)	Speed (m/min)	Lifting Motor Power (KW)	Traveling Motor Power (KW)	Trolley Gauge K(m)	Trolley Base W(m)	Trolley Height H(mm)	Hook Upper Limit h(m)	Max. Wheel Load (KN)	Trolley Weight(kg)
M3	6	8(0.8/8)	20	7.5 (0.8/7.5)	0.8 (2unit)	1	1.2	850	450mm	17	1000
	9									17.1	1020
	12									17.2	1040
M3	6	7(0.7/7)	20	13 (1.5/13)	0.8 (2unit)	1.4	1.5	950	500mm	35	1700
	9									35.2	1750
	12									35.4	1800
M3	6	3.5 (0.35/3.5)	20	13 (1.5/13)	1.5 (2unit)	1.6	1.5	950	1150	50	2000
	9									50.2	2050
	12									50.4	2100
M3	6	4.2 (0.42/4.2)	20	18.5 (2.2/18.5)	1.5 (2unit)	1.6	1.6	1020	1100	70	3200
	9									70.3	3280
	12									70.6	3360
M3	6	3 (0.3/3)	20	18.5 (2.2/18.5)	1.5 (2unit)	1.8	1.8	1100	1200	107	4500
	9									107.3	4580
	12									107.6	4660



We can be custom-designed according to customer demands, such as double hoist trolley. If you have any needs about this products, please visit our website "www.ytcrane.com" for more help.

Hoist Trolley Gallery



End Beams Overview

The end beams used in pairs, and the two main beams bolted into one main beam above the hoist trolley can run for the customer's own circumstances make us the main beam supporting the production end of the beam.

此种形式的端梁成对使用，和两根主梁通过螺栓连接成为一体，主梁上面可以运行葫芦小车，适用于客户自己制作主梁我们配套制作端梁的情形。

1 Motor Power 驱动单元

Chinese famous brand motor and gear. Available operation. Few fault.

采用我们国内知名品牌的驱动电机和高精度的齿轮，运行可靠，故障率低。

2

Steel Structure 钢结构

Steel structure type is different according to lifting capacity. There are rectangular tube and Spell slot section, light body weight. Structure is light and simple.

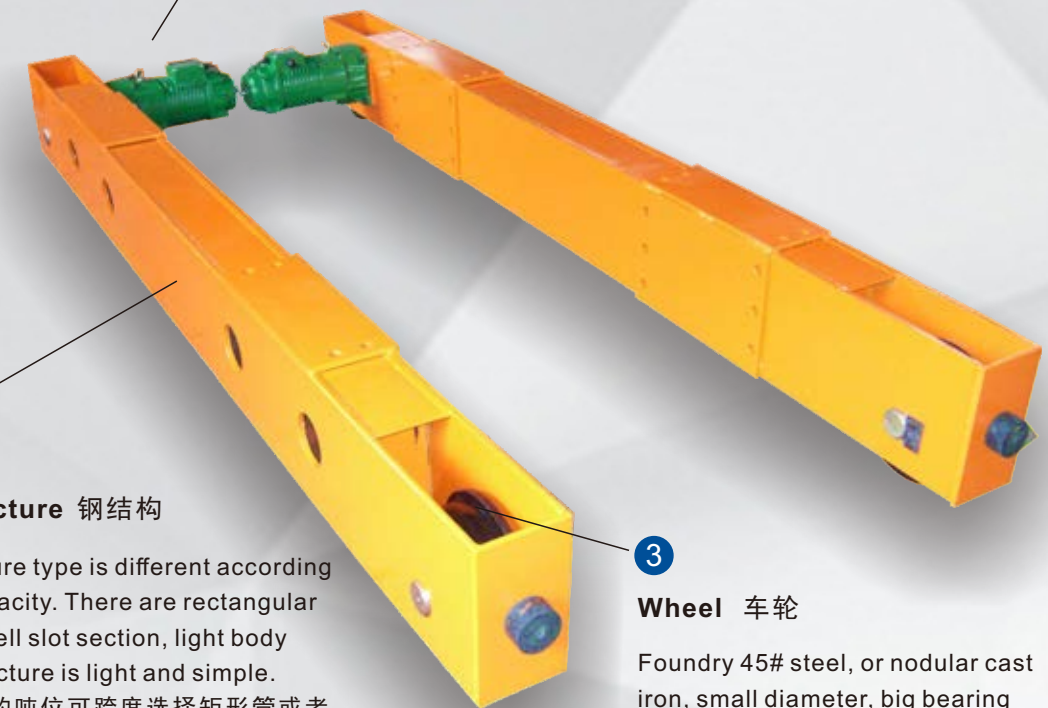
可根据不同的吨位可跨度选择矩形管或者拼槽截面，自重轻，结构轻巧简单。

3

Wheel 车轮

Foundry 45# steel, or nodular cast iron, small diameter, big bearing ability.

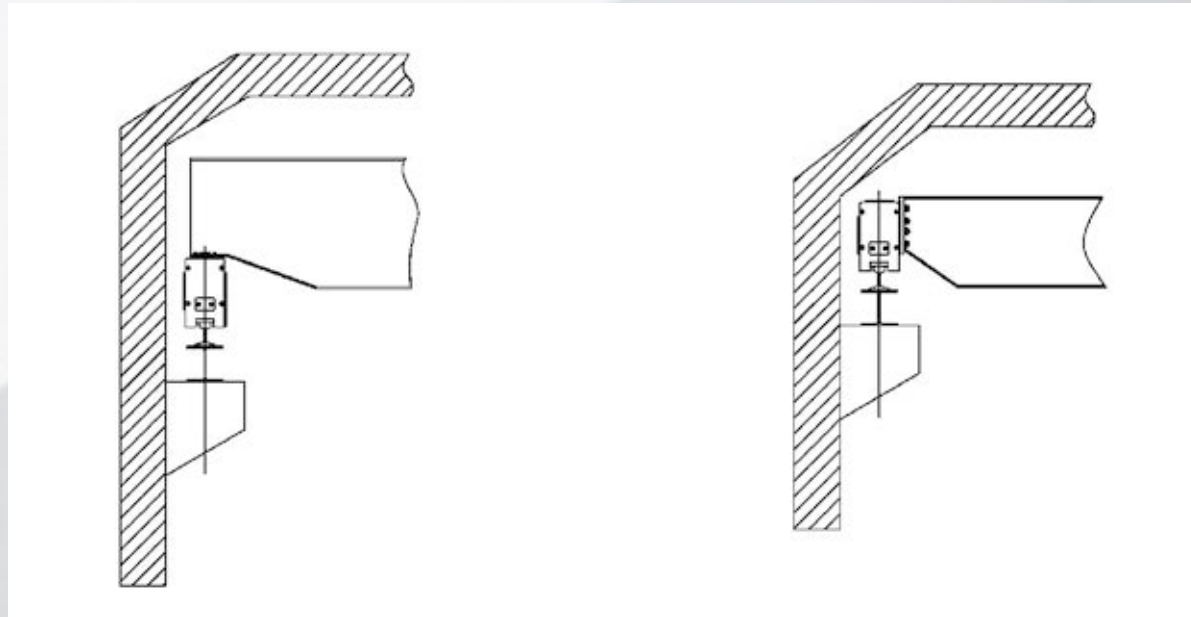
可用45号钢铸造，也可以用球墨铸铁，直径小，承载能力大。



Connections Type

This form of the end beam and the main beam has the following connections, depending on the circumstances of different plants can be fully utilized plant space, so that the maximum lifting height.

此种形式的端梁和主梁有以下几种连接方式，根据不同的厂房的情况，可以充分的利用厂房的空间，做到最大的起升高度。



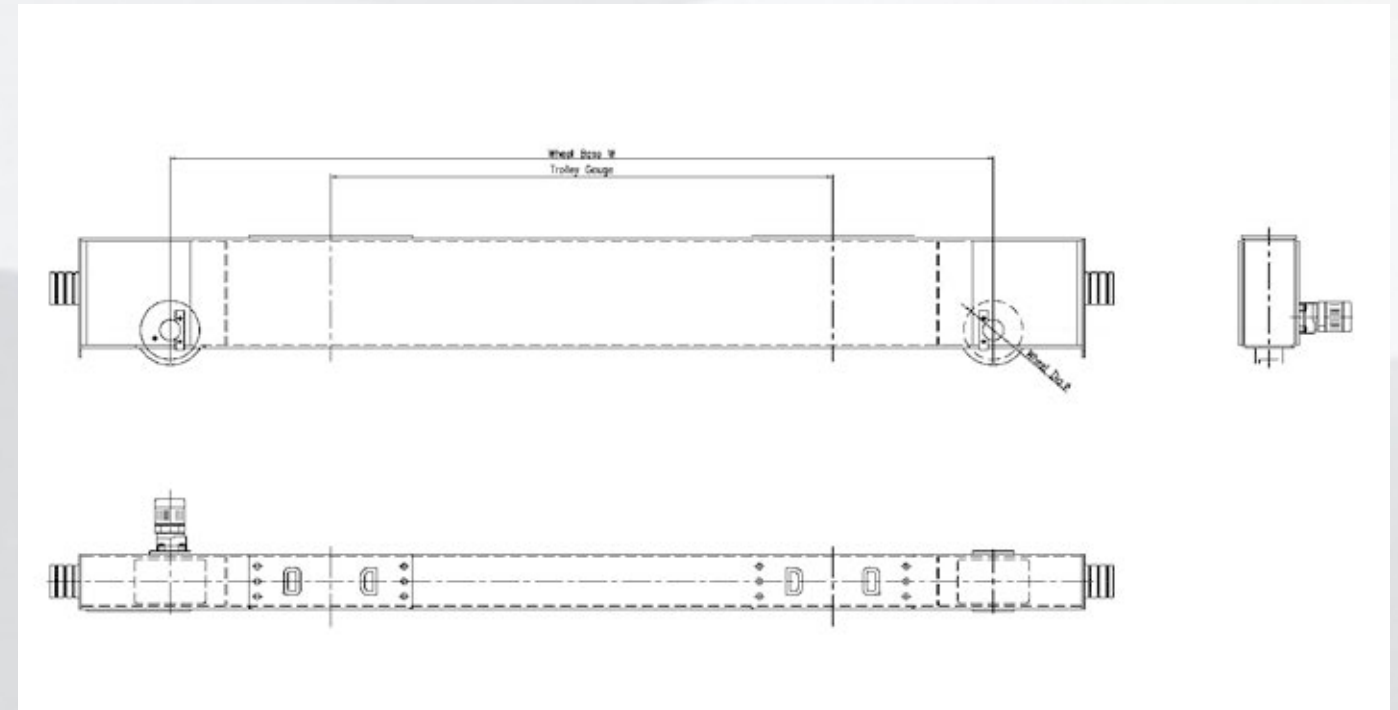
Top Connecting 高位连接

Workshop is high enough for lifting height.
厂房上部空间充裕，可以把主梁端部放在端梁上面，做到最大的起升高度。

Side connecting 低位连接

workshop is not high enough for lifting height.
厂房上部空间不足，主梁和端梁采用端部连接。

Draws & Parameters



Wheel base W(mm)	4500	4500	4500	4500	4500	31.5	Span (m)
	4100	4100	4100	4100	4500	28.5	
	3700	3700	3800	4000	4500	25.5	
	3700	3700	3800	4000	4500	22.5	
	3400	3700	3800	4000	4000	19.5	
	3400	3400	3300	4000	4000	16.5	
	3200	3200	3300	3300	3600	13.5	
	3200	3200	3300	3300	3600	10.5	
Capacity (t)	5	10	16	20	32	Capacity (t)	

Draws & Parameters

Motor power (KW)	2.2	2.2	3	3	4	31.5	Span (m)
	2.2	2.2	3	3	4	28.5	
	1.5	1.5	2.2	2.2	3	25.5	
	1.5	1.5	2.2	2.2	3	22.5	
	1.5	1.5	2.2	2.2	3	19.5	
	0.8	1.5	1.5	1.5	2.2	16.5	
	0.8	1.5	1.5	1.5	2.2	13.5	
	0.8	1.5	1.5	1.5	2.2	10.5	
Capacity (t)	5	10	16	20	32	Capacity (t)	

Wheel Dia. (mm)	Crane travelling speed(20m/min)						Span (m)
	φ270	φ270	φ370	φ370	φ500	31.5	
	φ270	φ270	φ370	φ370	φ500	28.5	
	φ215	φ215	φ270	φ270	φ370	25.5	
	φ215	φ215	φ270	φ270	φ370	22.5	
	φ215	φ215	φ270	φ270	φ370	19.5	
	φ215	φ215	φ215	φ215	φ270	16.5	
	φ215	φ215	φ215	φ215	φ270	13.5	
	φ215	φ215	φ215	φ215	φ270	10.5	
Capacity (t)	5	10	16	20	32	Capacity (t)	

End Beams Gallery



Hoist Trolley and End Beams on overhead crane



What we think is for customer needs.

Yuantai crane with their own advantages, strategic cooperation with international brand-name companies, which fully guarantee the quality and performance of the crane.



Certifications

Perfect quality assurance system, strict quality control and comprehensive quality management make perfection possible for every section and every product. Mean while advanced inspection instruments in the world national authoritative inspection centers and steady quality inspection level give us confidence in fierce competition in the world.

ISO Certificates



European Union CE Certificates

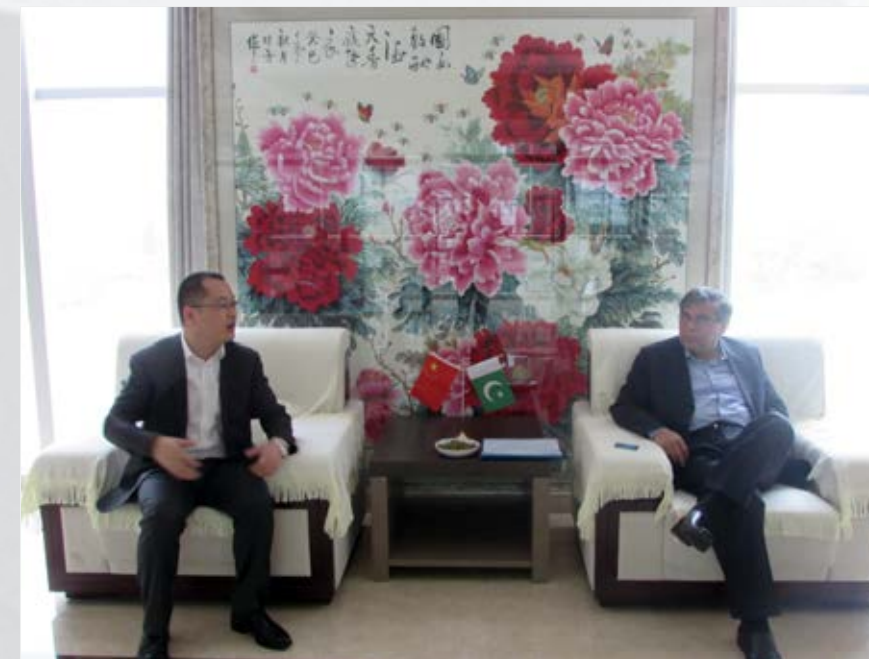


Manufacture License of Special Equipment



Customers all around the world

Our products have been exported to the United States, Britain, Russia, Panama, Brazil, Australia India and etc **80 countries and regions**. Yuantai remain a stable growth on global sales for many years, and keep increasing the share of the market year by year. Stable operation, qualities first, focus on customer's idea, these help to provide long-term security and reliable products, let the customer's material handling easier, and create more and more value for customers.



Pakistan Customer



Bosnia and Herzegovina
Customer



Panama Customer



Brazil Customer



Australia Customer



Sri Lanka Customer